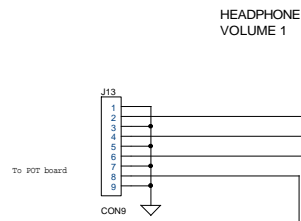
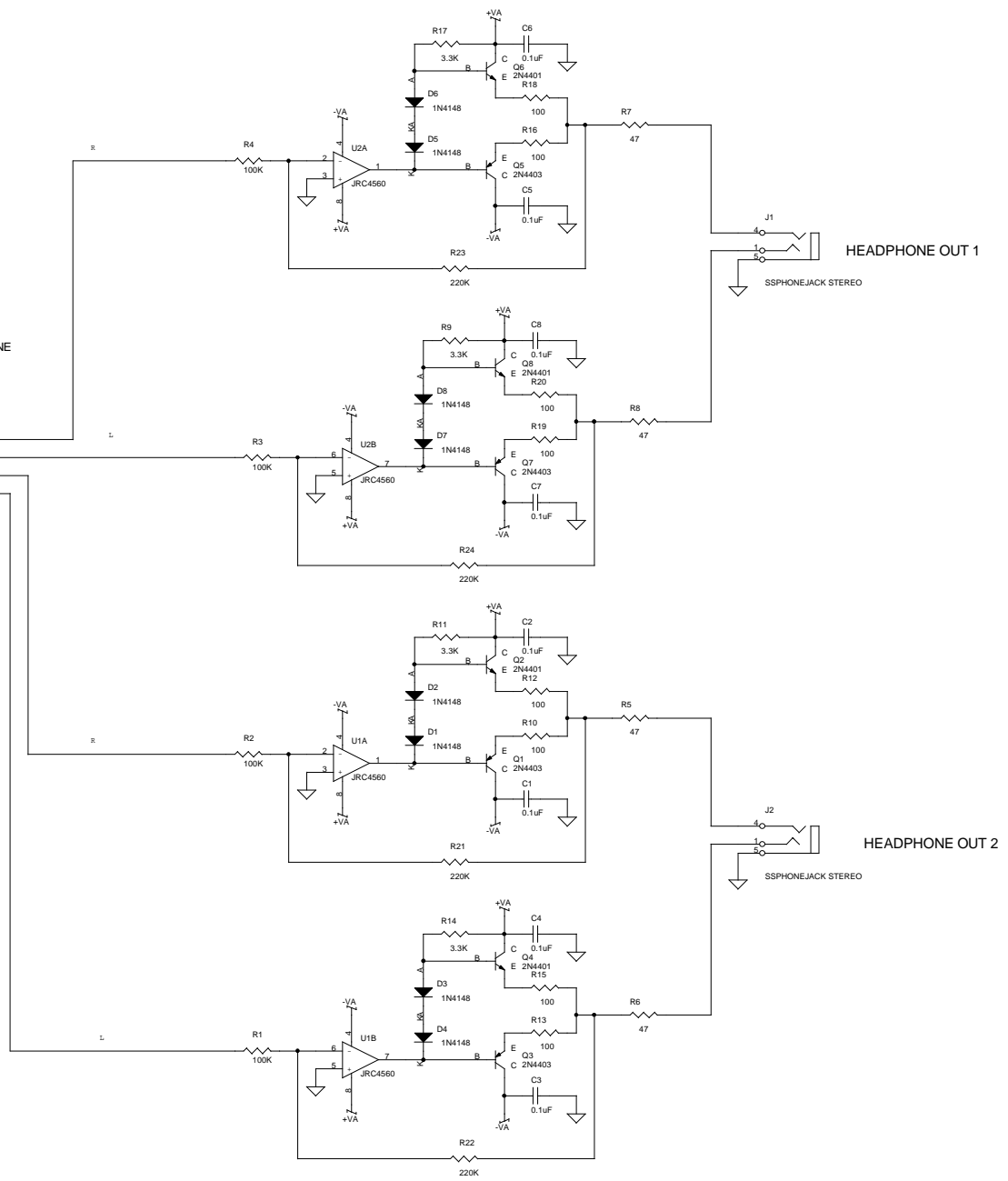


Op-Amp Decoupling Caps



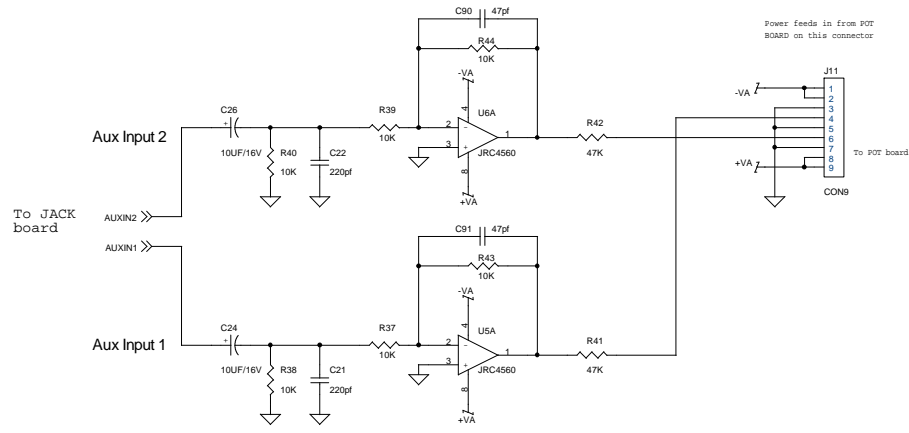
HEADPHONE VOLUME 1

HEADPHONE VOLUME 2



HEADPHONE OUT 1

HEADPHONE OUT 2



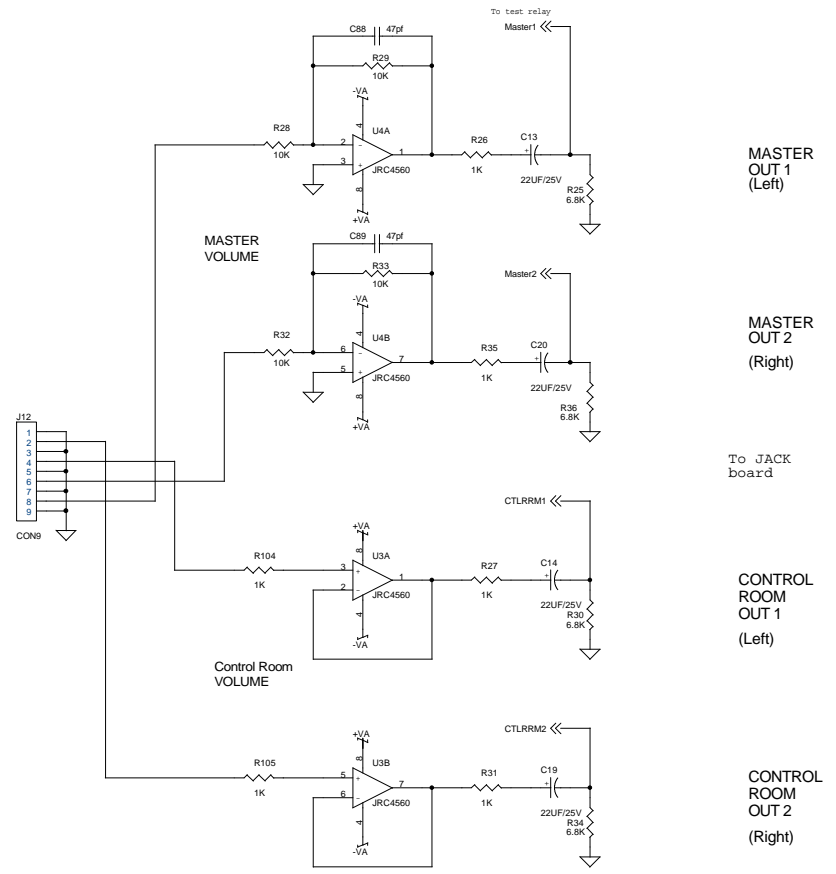
To JACK board

To POT board

Power feeds in from POT BOARD on this connector



Op-Amp Decoupling Caps



MASTER OUT 1 (Left)

MASTER OUT 2 (Right)

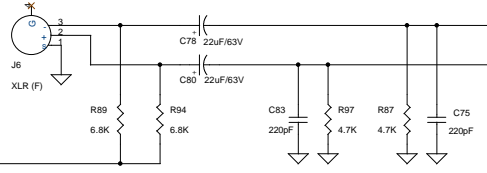
To JACK board

CONTROL ROOM OUT 1 (Left)

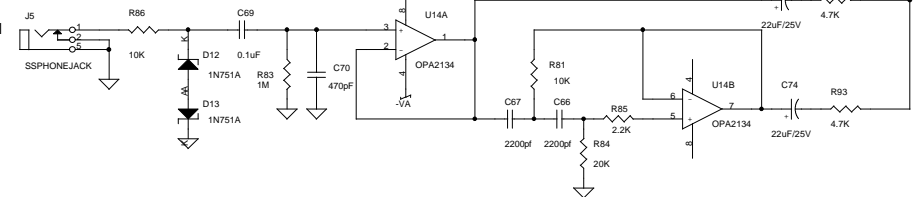
CONTROL ROOM OUT 2 (Right)



Pre-Amplifier 1
Microphone Input

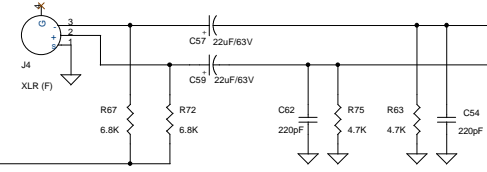


Pre-Amplifier 1
Instrument Input

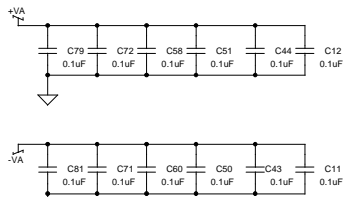
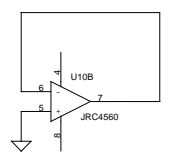
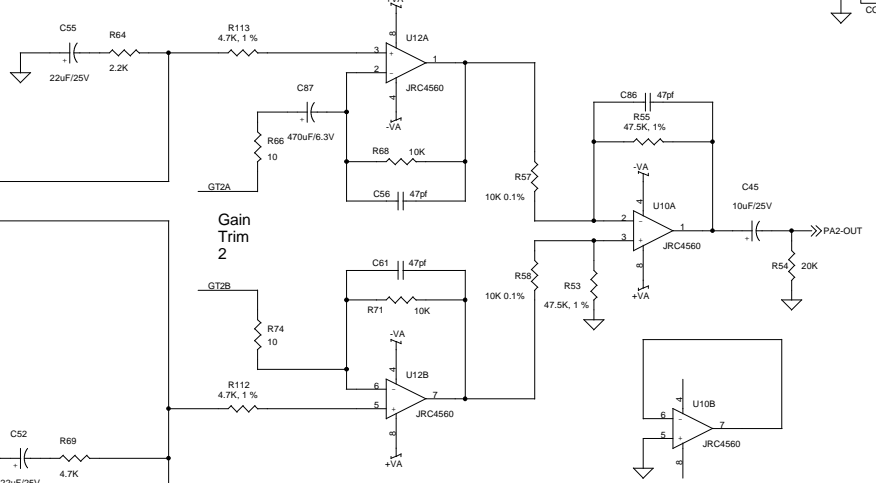
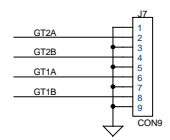
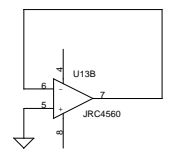
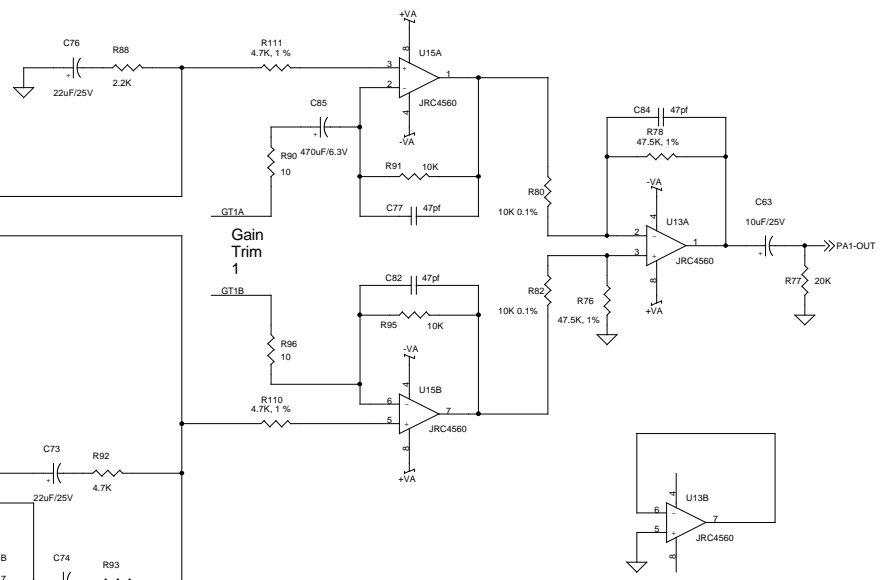
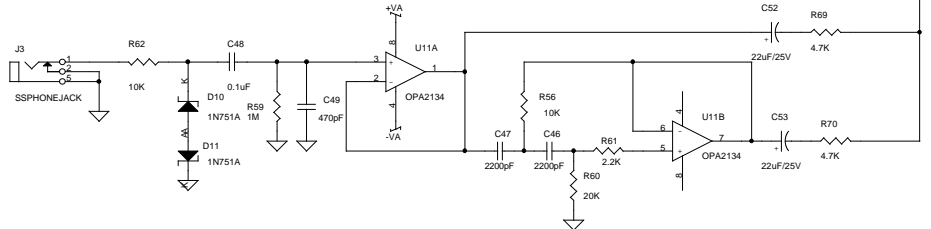


From Phantom
Power Switch

Pre-Amplifier 2
Microphone Input



Pre-Amplifier 2
Instrument Input



Op-Amp Decoupling Caps