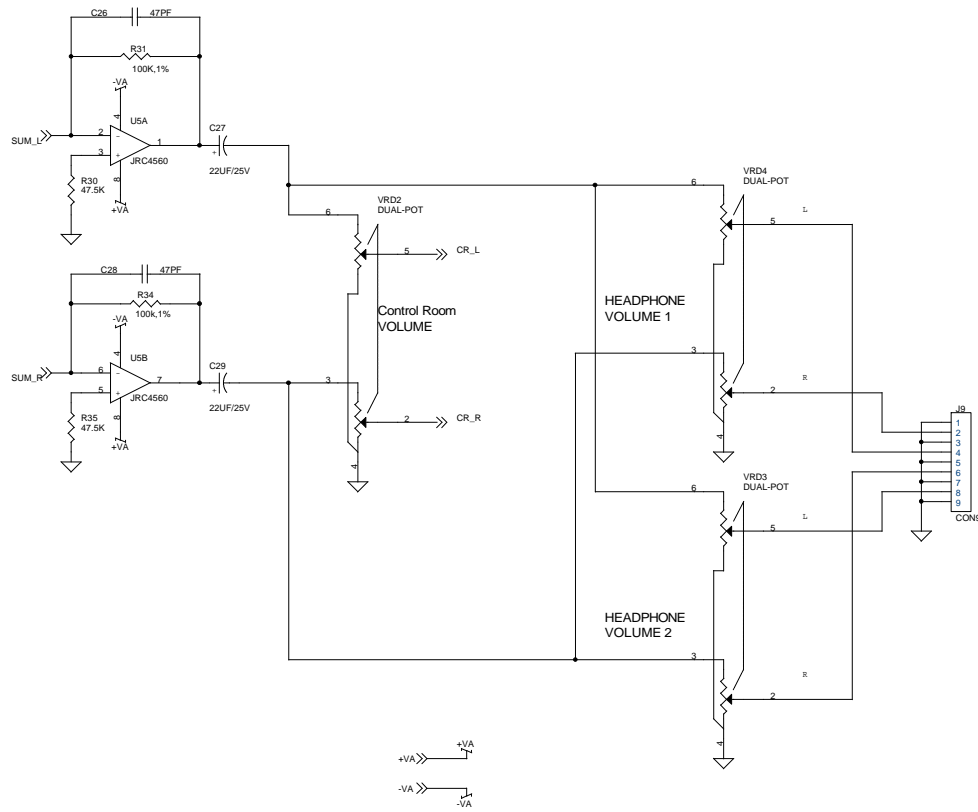
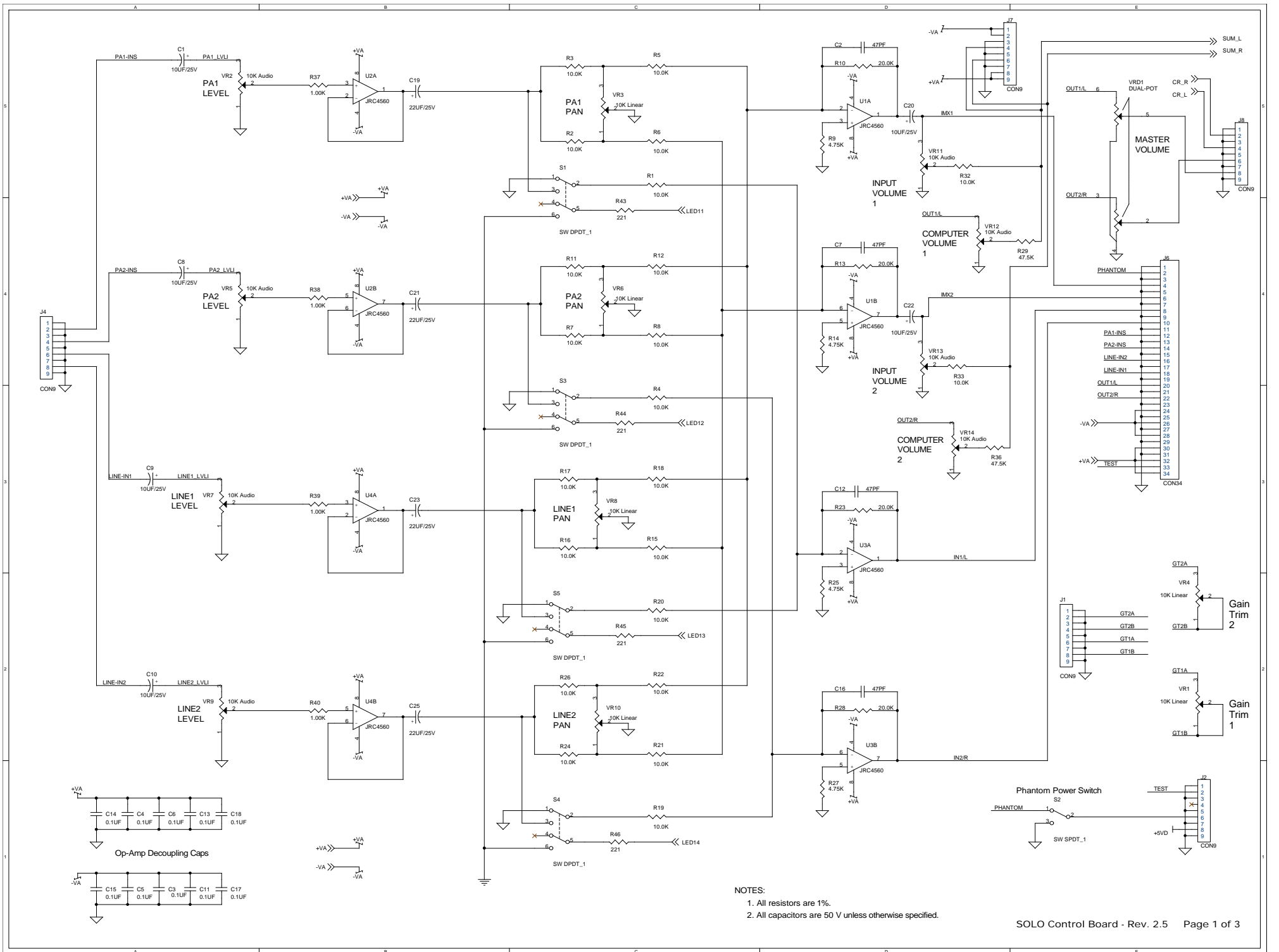


TO CPU BOARD





- NOTES:
1. All resistors are 1%.
 2. All capacitors are 50 V unless otherwise specified.